



Be Crafty.

Technique Tutorial

How to Attach Campaign Hardware

Embellish and transform your furniture. Campaign hardware is great for garage sale finds and upcycling! Use individually in each corner, or group for stunning, artistic embellishment. Position L-corners at the straight edge of the quatrefoil corners to create a larger design unit for added impact. Use right-angle corners to reinforce construction and emphasize design.

Templates follow at 100% size for easy design placement. Mix and match!





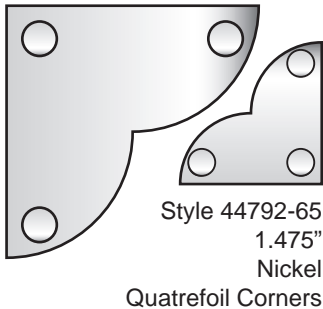
Be Crafty.

Technique Tutorial

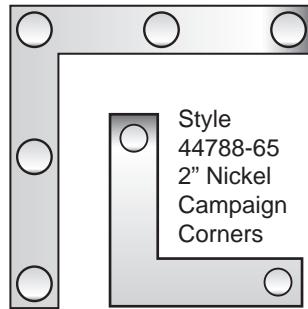
How to Attach Campaign Hardware (continued)

The campaign hardware has been grouped on the next few pages to show the coordinating finishes and textures. Group them or use them separately for stunning effects.

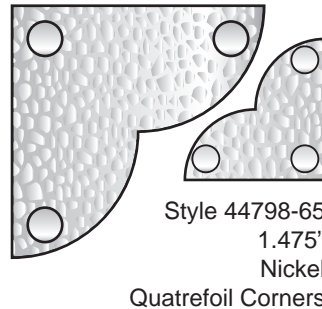
Style 44793-65, 2.625"
Nickel Quatrefoil Corners



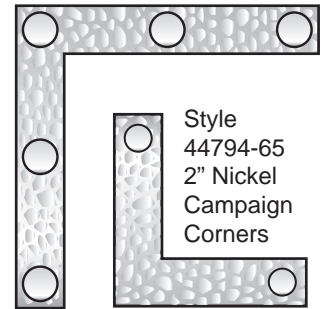
Style 44789-65, 3.125"
Nickel Campaign Corners



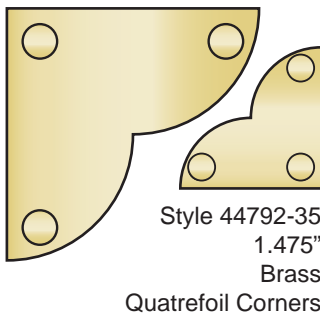
Style 44799-65, 2.625"
Nickel Quatrefoil Corners



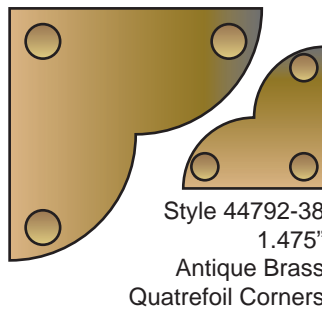
Style 44795-65, 3.125"
Nickel Campaign Corners



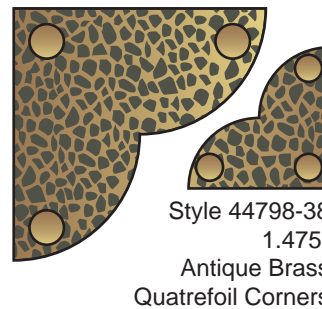
Style 44793-35, 2.625"
Brass Quatrefoil Corners



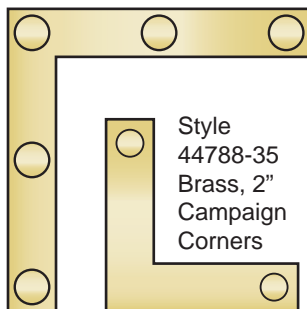
Style 44793-38, 2.625"
Antique Brass Quatrefoil Corners



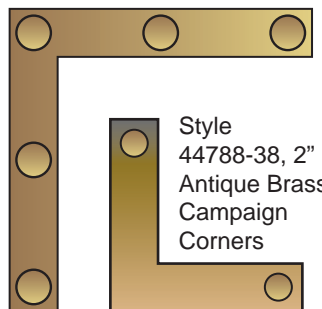
Style 44799-38, 2.625"
Antique Brass Quatrefoil Corners



Style 44789-35, 3.125"
Brass
Campaign Hardware Corners



Style 44789-38, 3.125"
Antique Brass
Campaign Hardware Corners



Style 44795-38, 3.125"
Antique Brass
Campaign Hardware Corners



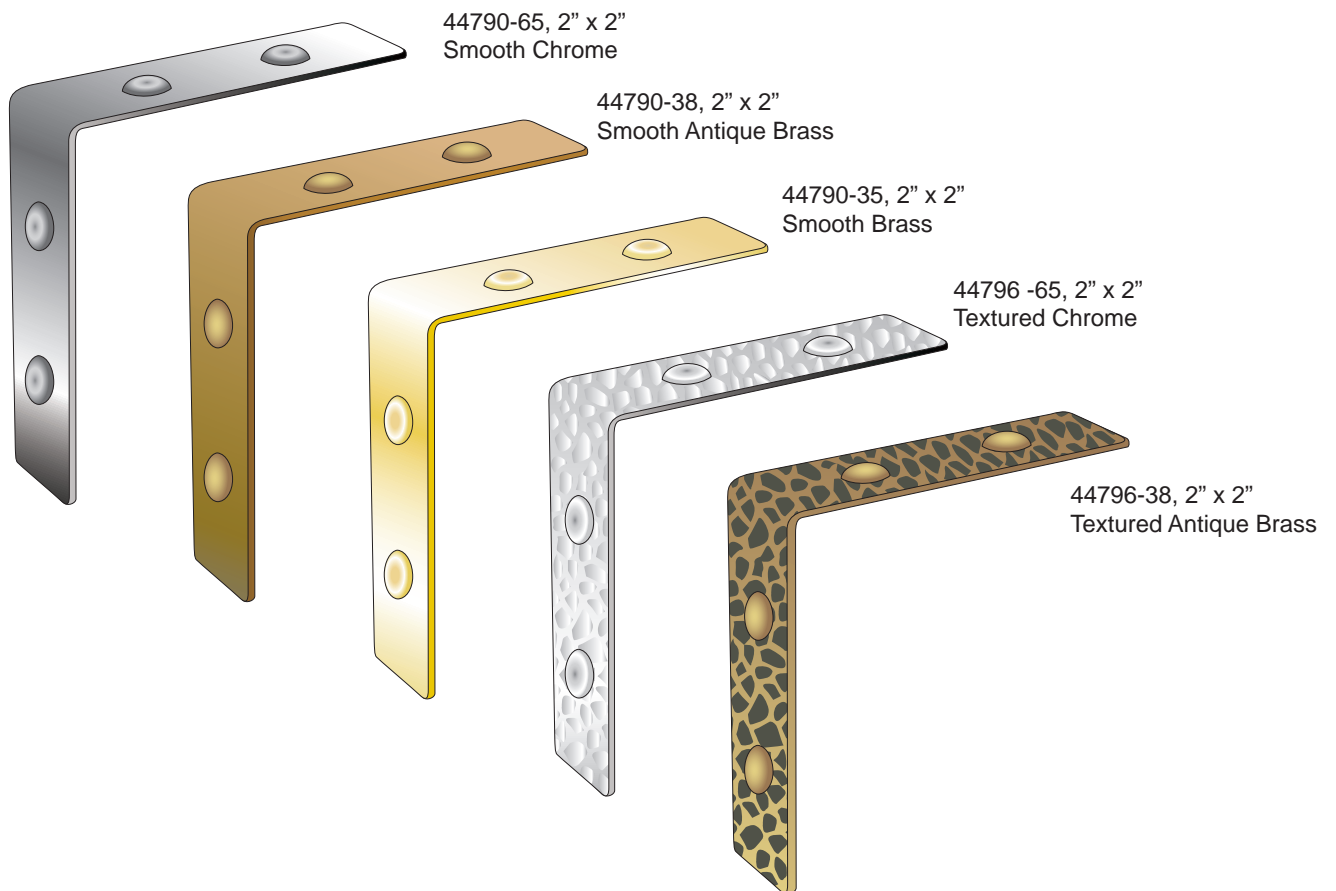


Be Crafty.

Technique Tutorial

How to Attach Campaign Hardware (continued)

RIGHT-ANGLE CORNERS: Right-angle corners come in two sizes: 2" x 2" and 3.15" x 3.15". Matching nails are included. Combine these with quatrefoil and L-corners to upcycle and redesign furniture.



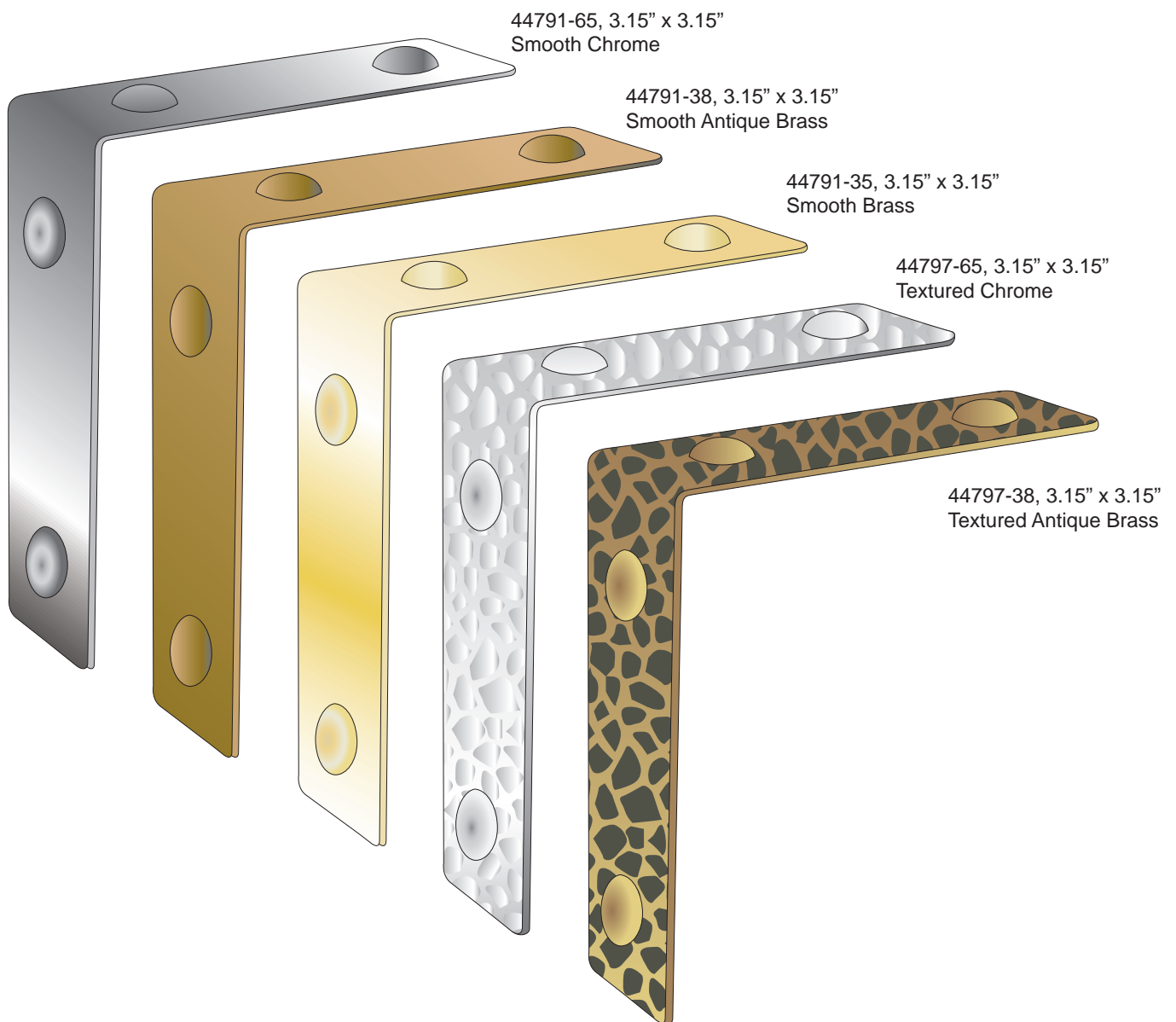


Be Crafty.

Technique Tutorial

How to Attach Campaign Hardware (continued)

RIGHT-ANGLE CORNERS: Available colors and finishes for the 3.15" x 3.15" corners are shown below. Mix and match with quatrefoil and L-corners for stunning results!



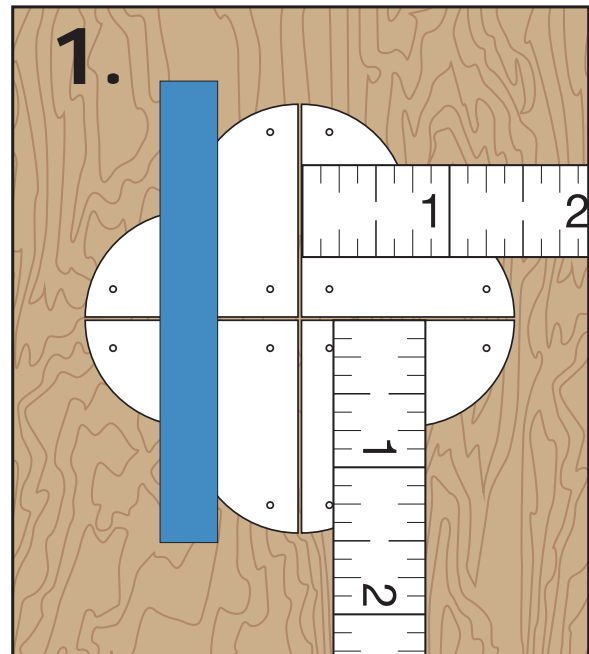


Be Crafty.

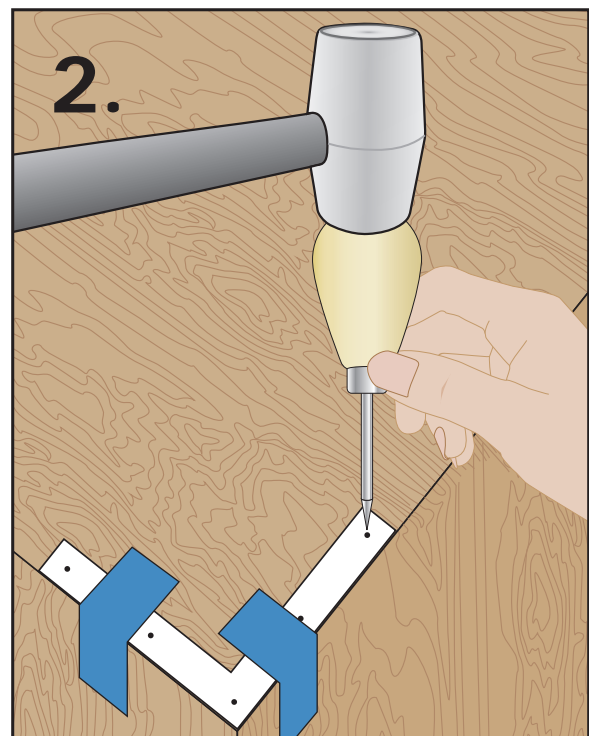
Technique Tutorial

How to Attach Campaign Hardware (continued)

- 1.** L-CORNERS and QUATREFOILS: Use the templates provided to design your campaign hardware arrangement. When you've made the final design decision and have the actual metal pieces in hand, tape them to the project. Use a measuring device to obtain the most accurate placement and to ensure that the placement of all corners aligns.



- 2.** Mark each hole position with an awl. To do this, hold the tip of the awl in the metal hole and hit it with a mallet. The indentation made by the tip of the awl forms a pilot hole to enable you to accurately position the tip of the nail.



FAQ

What is a pilot hole? It is a starter hole, used to secure the tip of a nail or screw so that it can be quickly applied. It is usually made with a drill, and is always smaller than the nails to be used in the project. Because the nails required for the campaign hardware are so tiny, we recommend an awl instead of a drill to make the pilot hole.





Be Crafty.

Technique Tutorial

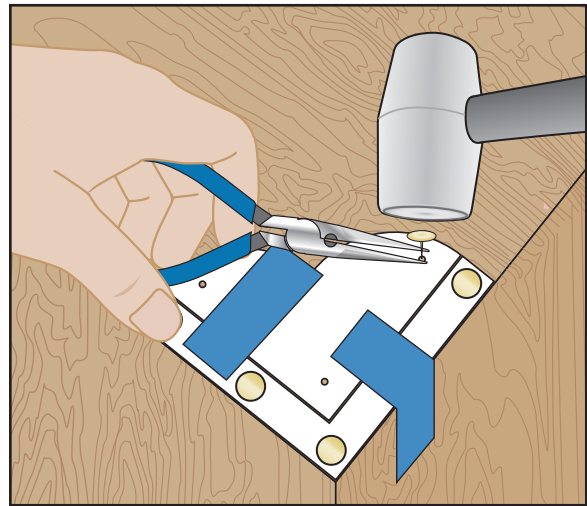
How to Attach Campaign Hardware (continued)

- 3.** L-CORNERS and QUATREFOILS (continued):
Place the tip of the nail into the pilot hole.
Use a mallet to softly tap the nails into place.

See our Look Book for creative ideas and inspiration!

TIP

To prevent bent or dropped nails, use needle-nose pliers or forceps to hold the nail in place while starting to hammer.



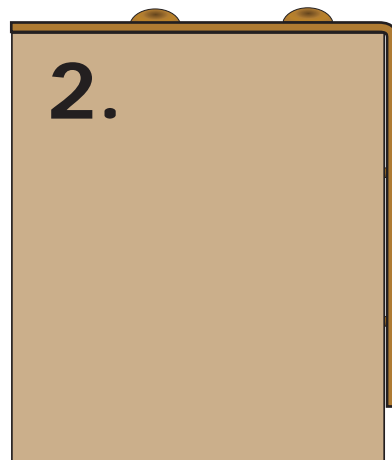
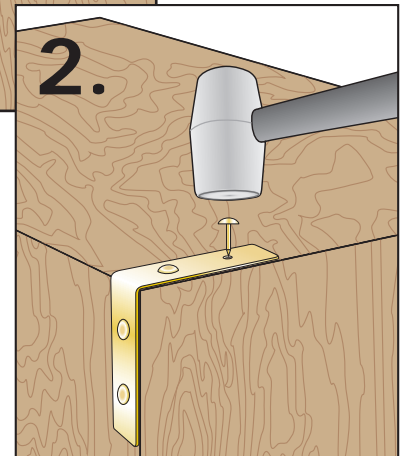
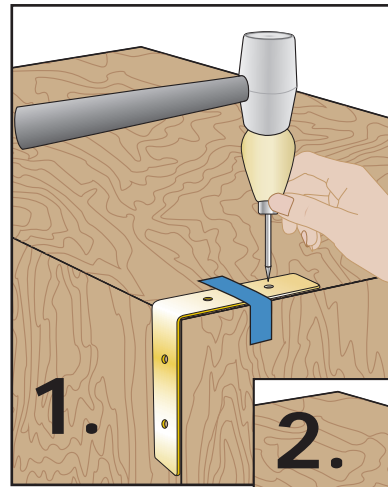


Be Crafty.

Technique Tutorial

How to Attach Campaign Hardware (continued)

- 1. RIGHT-ANGLE CORNERS:**
Choose the placement for your corners. When you've made the final design decision and have the actual metal corners in hand, tape them to the project. Use a measuring device to obtain the most accurate placement and to ensure that all corners align. Mark each hole position with an awl. To do this, hold the tip of the awl in the metal hole and hit it with a mallet. The indentation made by the tip of the awl forms a pilot hole to enable you to accurately position the tip of the nail.
- 2.** Use a mallet to softly tap the nails into place. Read the entire tutorial for more application tips.
- 3.** See our Look Book for creative ideas and inspiration!





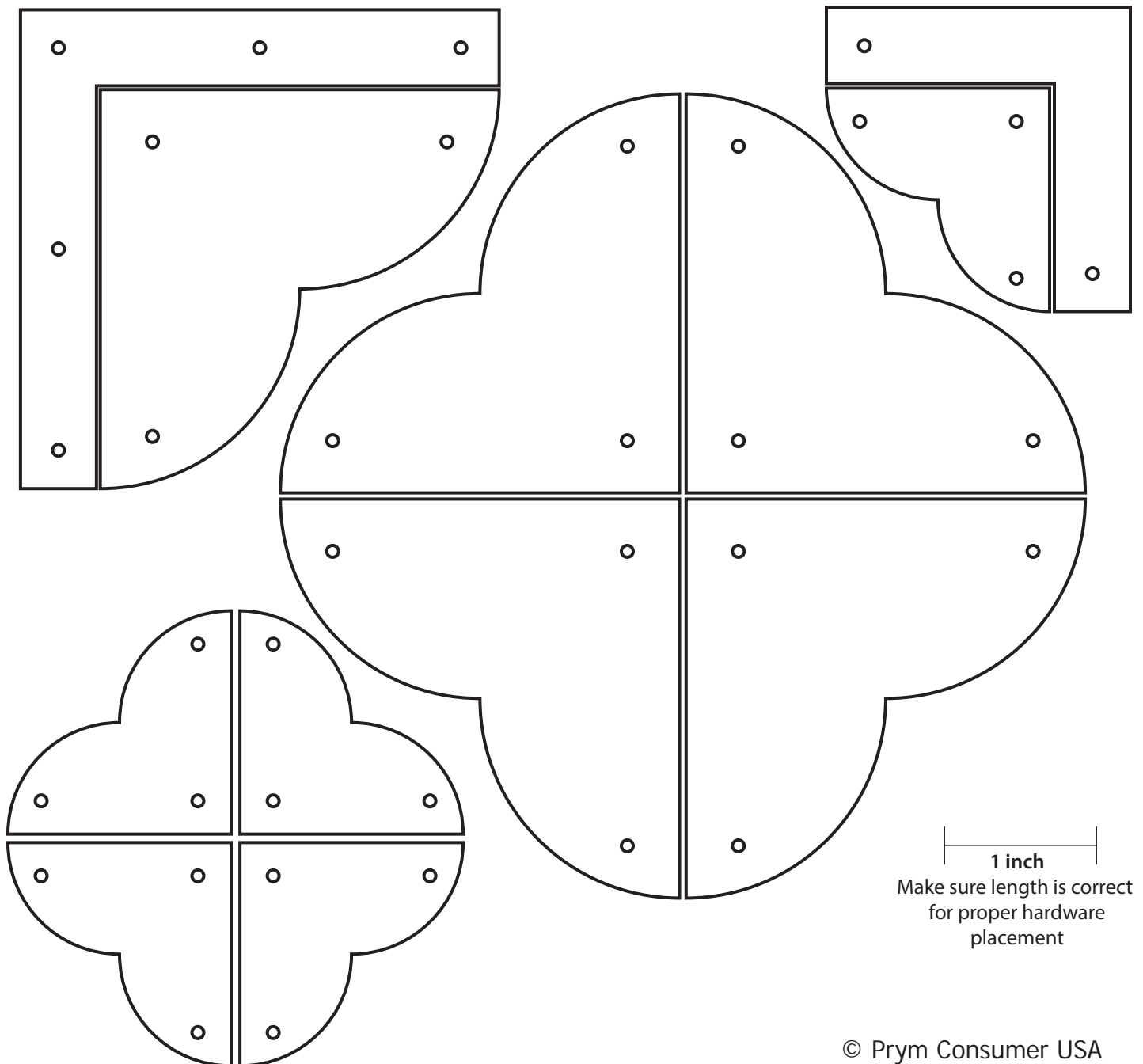
Be Crafty.

Technique Tutorial

How to Attach Campaign Hardware (continued)

Suggested designs – Quatrefoil

We have grouped the hardware shapes at 100% size into popular configurations. To use these as templates, make multiple copies of this page. Then cut out the designs and tape to your furniture in the desired placement. Read the entire tutorial for information on how to attach each piece. *Always* use actual hardware to mark nail positions and make pilot holes.





Be Crafty.

Technique Tutorial

How to Attach Campaign Hardware (continued)

Suggested designs – L-Corners

We have grouped the corner hardware at 100% size into additional configurations. To use these as templates, make multiple copies of this page. Then cut out the designs and tape to your furniture in the desired placement. Group corners to create a focal point at the center of your piece of furniture. Or position in a row to form an energetic directional design.

Read the entire tutorial for information on how to attach each piece. *Always* use actual hardware to mark nail positions and make pilot holes.

