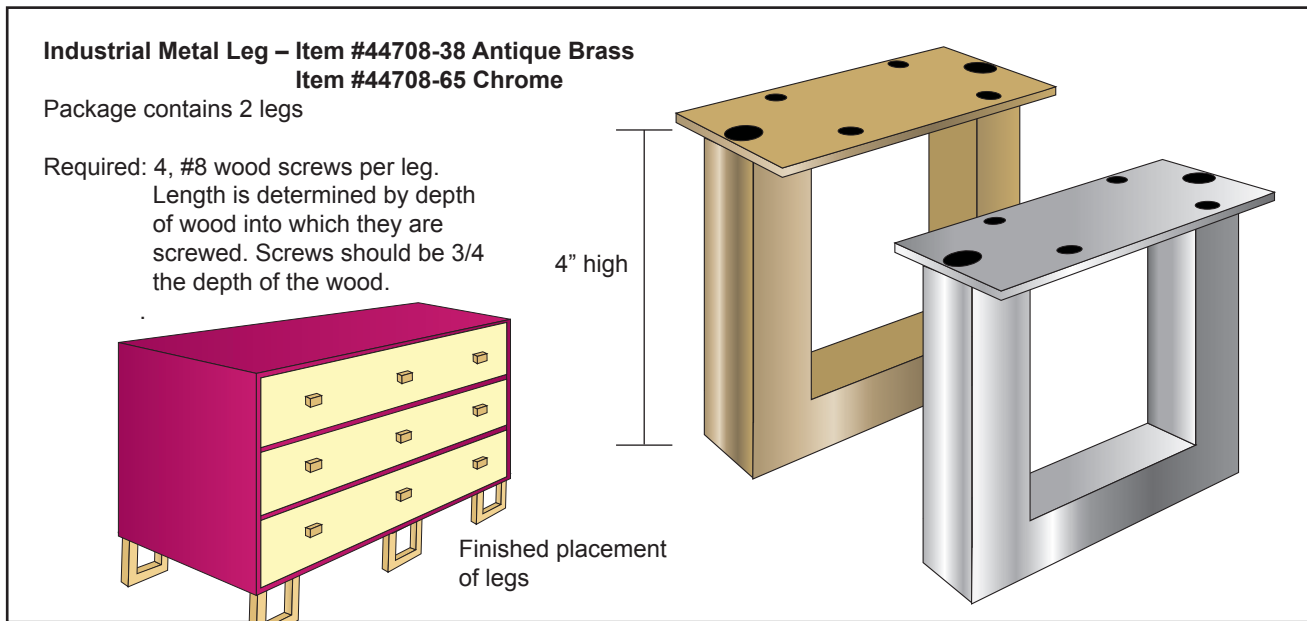




Additional Product Instructions & Illustrations

Dritz® Home: Industrial Metal Legs (item #44708)



What is an Industrial Metal Leg?

Industrial Metal Legs are replacement legs for furniture. Do you have a favorite dresser that could use a little TLC—or perhaps a great flea market furniture find that’s just begging for an update? Well, these sophisticated legs may be the solution!

How do you use them?

1. Legs are designed to be placed at the bottom of a piece of furniture, one per corner. They require a flat piece of solid wood at the base on which to attach the legs. Examine the base of the piece of furniture, adding a piece of wood to reinforce the corners if needed. All screws must go into wood.
2. **Attaching the Legs:** Turn the piece of furniture bottom side up. Position the flat top edge of the leg against the corner of the wood. Use a pen to mark the screw hole positions. Use a drill to drill a hole at each position. Use a screwdriver to attach the screws.

