



Be Crafty.

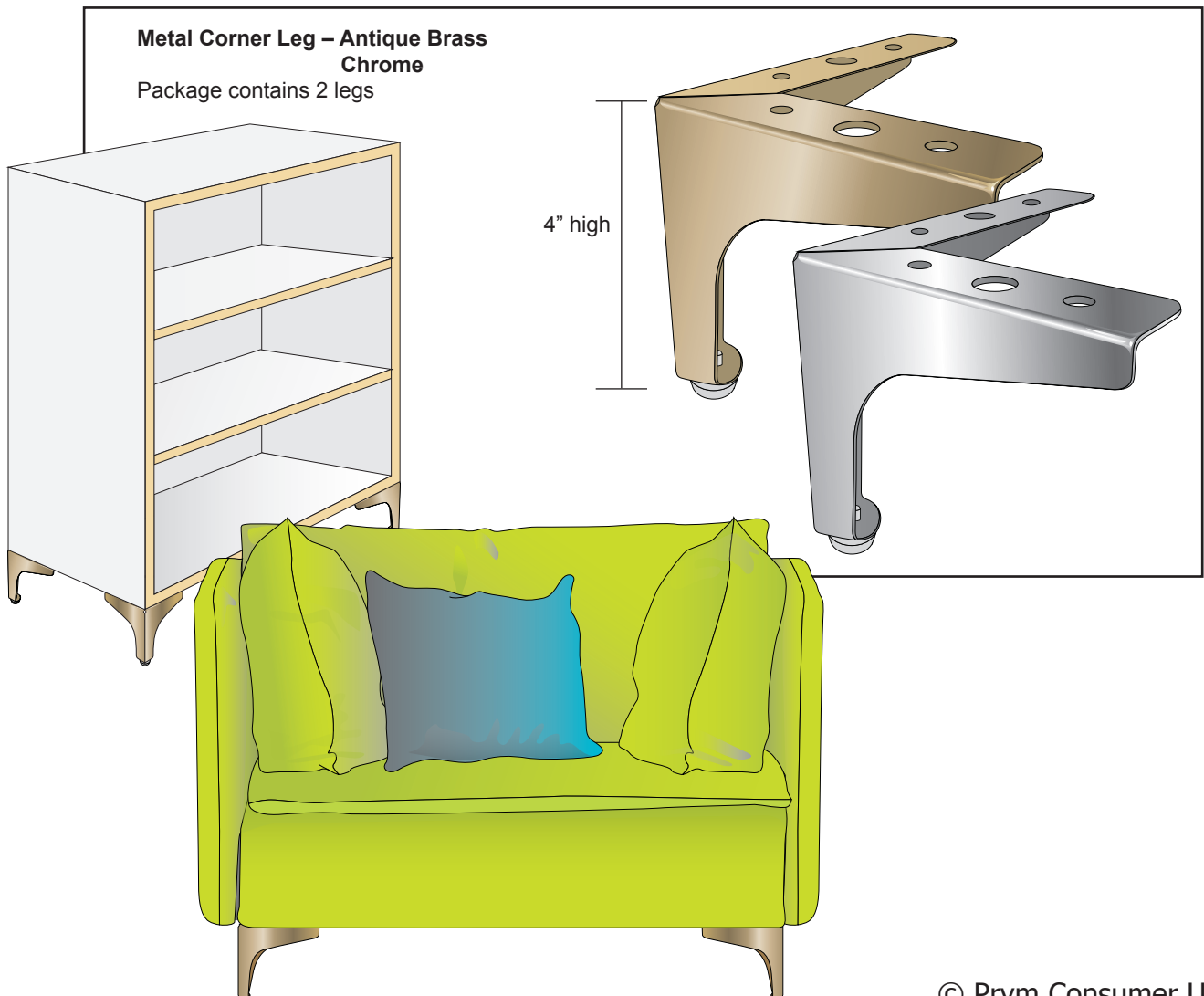
Technique Tutorial

How to attach Dritz® Metal Corner Legs to furniture

Do you have a favorite dresser that could use a little TLC—or perhaps a great flea market furniture find that’s just begging for an update? Maybe an old chair that has become a bit shabby but has good bones. Have you thought of simply changing out the legs?

Our sleek Metal Corner Legs are 4” high – a great height for dressers, shelving units, chairs or footstools. Or let your imagination run wild, and take a less traditional approach! Add legs to an old dresser drawer for a one-of-a-kind pet bed. An old crate magically becomes a side table with the addition of new legs. So many possibilities.

Our Metal Corner Legs are easy to attach and provide an instant makeover for those woebegone pieces. So rev up your drill and let’s get started!





Be Crafty.

Technique Tutorial

How to attach Dritz® Metal Corner Legs to furniture (continued)

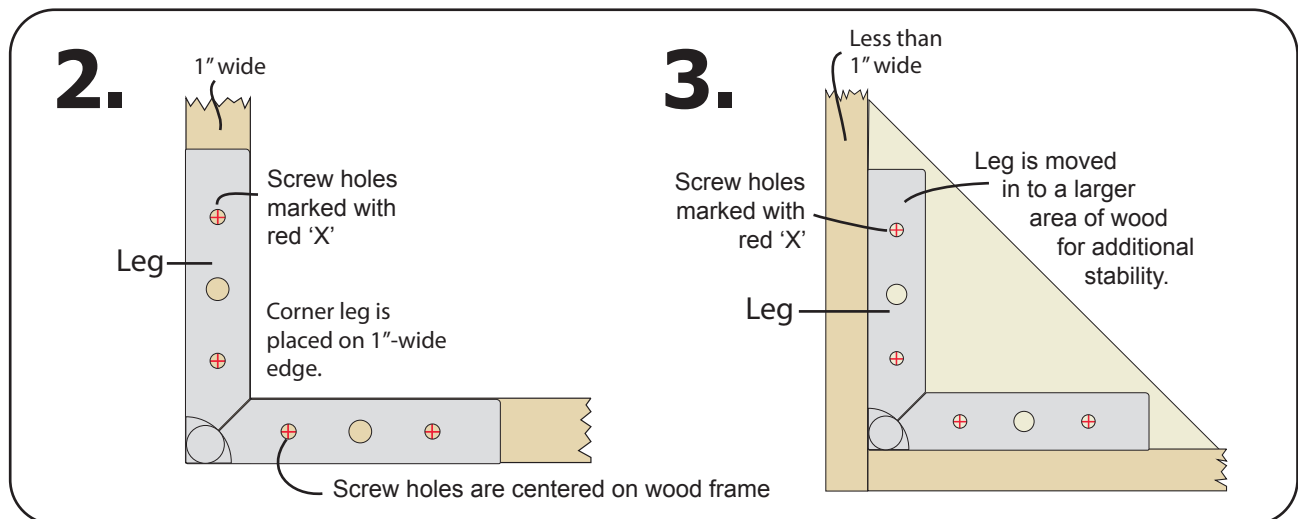
Supplies per project:

- Furniture piece to be upcycled
- 4 metal corner legs
- 16, #8 wood screws (See step 4 for screw length)
- Screwdriver – type determined by selected screw
- Electric drill with appropriately sized drill bit
- Protective eyewear

Planning Leg Placement:

1. Turn project over on protected work surface and remove old legs. For secure leg placement, examine the bottom of your piece of furniture. You need a flat piece of solid wood at the base on which to attach the legs.
2. All 4 screw holes on the leg must connect with wood. For this to happen, the frame must be 1" wide (2), have a solid bottom, or have additional reinforcement added to the corners.
3. If your piece has a less than 1" frames, add corner reinforcement (3). Be sure any nails or screws used to attach the piece of wood do not interfere with the screws used to attach the legs. Legs must be moved in so screws connect with solid wood (3).

Holding the leg firmly, use a pen or pencil to trace the screw holes.





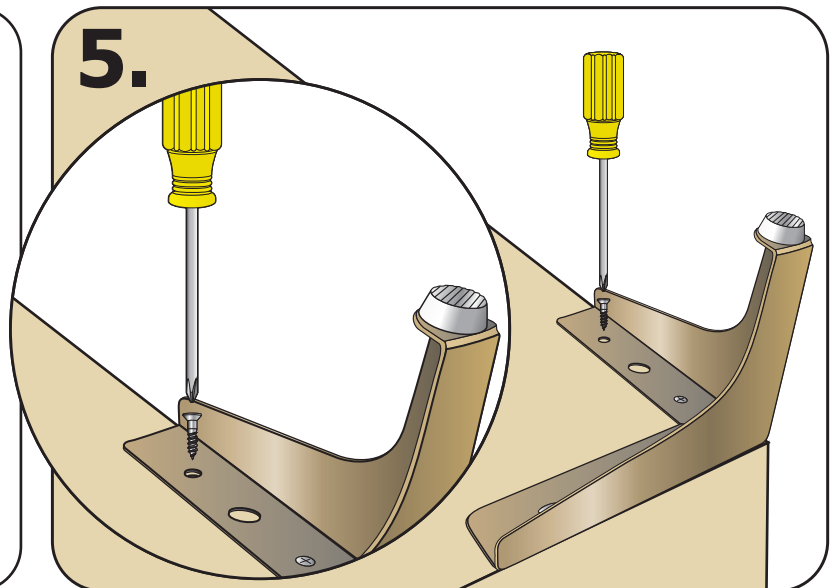
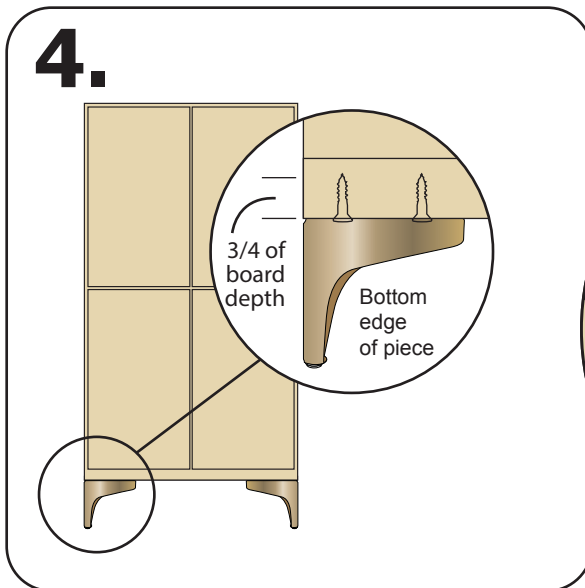
Be Crafty.

Technique Tutorial

How to attach Dritz® Metal Corner Legs to furniture (continued)

Screw Length:

4. Mounting screws should never show on any piece of furniture. Generally the length of the screw should be about $\frac{3}{4}$ of the depth of the board into which it is screwed. For example, if the wood is $\frac{5}{8}$ " thick, the screw should be $\frac{1}{2}$ " long; if the wood is 1" thick, the screw should be $\frac{3}{4}$ " long.



Attaching Legs:

5. Carefully drill a hole at the center of each mark making sure you do not penetrate the opposite side of the wood. Use a screwdriver to screw each leg securely into place. Once all legs are attached, carefully turn the piece right side up and step back to admire your work.

TIP:

Use a drill bit about half the size of the actual screw to create a "pilot hole". This helps ensure exact positioning and helps prevent cracking the wood when the larger screw is drilled in.

